

APPROVED:
City Council
City of Willow Park

Council:

April 14, 1987
 Mayor: J. Mack Simpson
 Secretary: Andrew...
 Council Members: H. J. Brickett, R. W. ..., San Bassal, Linda Cray..., Bernadette M...



Brent A. Mizell
 SURVEYED IN APRIL 1987
 CORNERS MARKED AS SHOWN

STATE OF TEXAS 1
 COUNTY OF PARKER 1

KNOW ALL MEN BY THESE PRESENT that the Corporation of the Episcopal Diocese of Fort Worth is the owner of the following described property to wit:

Blocks 36 and 37
 EL CHICO
 An Addition to the City of Willow Park, Parker County, Texas
 As Recorded in Volume 277, Page 358
 Parker County Plat Records

NOW THEREFORE, KNOW ALL MEN BY THESE PRESENT that the Corporation of the Episcopal Diocese of Fort Worth does hereby adopt the plat shown hereon to be known as:

Block 36-R
 EL CHICO

An Addition to the City of Willow Park, Parker County, Texas and does hereby dedicate to the public's use forever the streets and easements shown hereon.

EXECUTED THE 3rd day of June, 1987

The Corporation of the Episcopal Diocese of Fort Worth

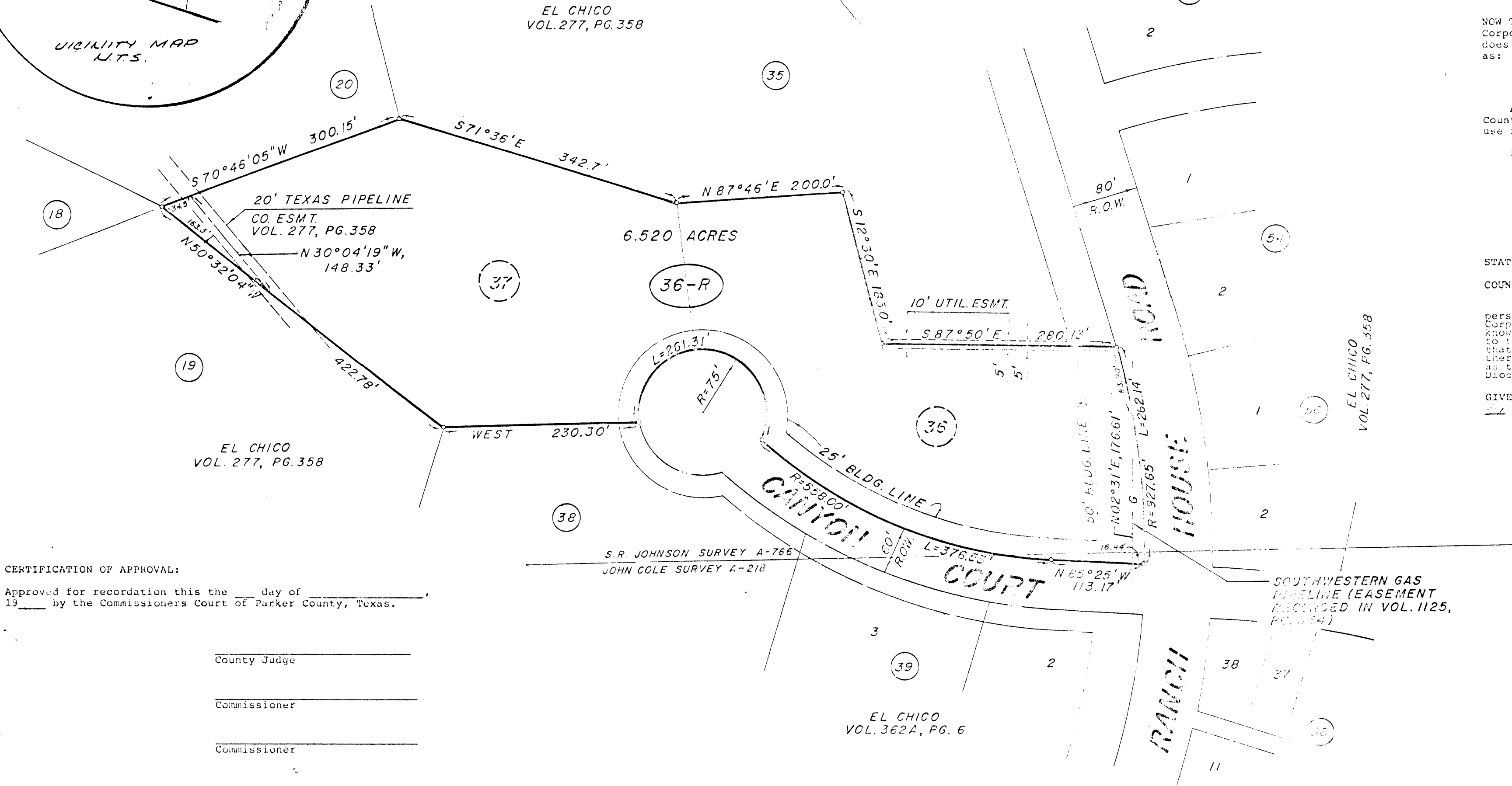
Gene Engleman
 By: Gene Engleman, President

STATE OF TEXAS 1
 COUNTY OF 1

BEFORE ME, the undersigned authority, on this day personally appeared Gene Engleman, President of the Corporation of the Episcopal Diocese of Fort Worth, known to me to be the person whose name is subscribed to the foregoing instrument, and acknowledged to me that he executed the same for the purposes and consideration therein expressed, in the capacity therein stated and as the act and deed of said Corporation of the Episcopal Diocese of Fort Worth.

GIVEN UNDER MY HAND AND SEAL OF OFFICE on this the 3rd day of June, 1987.

John ...
 Notary Public
 County, Texas
 Commission Expires 1987



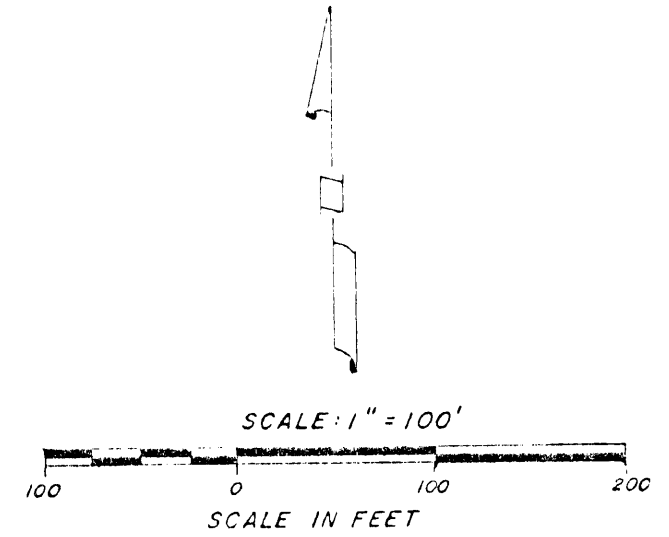
CERTIFICATION OF APPROVAL:
 Approved for recordation this the ___ day of _____, 19__ by the Commissioners Court of Parker County, Texas.

County Judge _____
 Commissioner _____
 Commissioner _____
 Commissioner _____

Approval of this plat for record is not to be construed as acceptance of the roads depicted.
 No plat bearing the word "accepted" as part of the certification of approval for recordation will be approved for filing.
 Adopted by the Commissioners Court of Parker County, this the ___ day of _____, 19__.

Attest:
 County Clerk _____
 County Judge _____
 Commissioners Precinct #1 _____
 Commissioners Precinct #2 _____
 Commissioners Precinct #3 _____
 Commissioners Precinct #4 _____

OWNER - DEVELOPER:
 THE CORPORATION OF THE EPISCOPAL DIOCESE OF FORT WORTH
 3572 S.E. LOOP 820
 FORT WORTH, TEXAS 76133
 BLOCK 36 - VOL. 1191, PG. 415
 BLOCK 37 - VOL. 1304, PG. 430



166770
 PCA-620
 RECEIVED AND FILED
 FOR RECORD
 1:09 P.M.

JUN 3 1987
 CARRIE REED, Co. Clerk
 PARKER COUNTY, TEXAS
 By: _____ Deputy

STATE OF TEXAS COUNTY OF PARKER
 I hereby certify that this instrument was filed on the date and time stamped hereon by me and was duly recorded in the volume and page of the named records of Parker County as stamped hereon by me.
 RECORDED JUN 18 1987
 SEAL
 County Clerk, Parker County, Tex.

FINAL PLAT
 BLOCK 36-R
 EL CHICO

AN ADDITION TO THE CITY OF WILLOW PARK
 SITUATED IN THE S. R. JOHNSON SURVEY, ABST. NO. 766
 & THE JOHN COLE SURVEY, ABST. NO. 218, PARKER COUNTY, TEXAS
 BEING A REPLAT OF BLOCKS 36 & 37, EL CHICO
 AS RECORDED IN VOLUME 277, PAGE 358 PARKER COUNTY PLAT RECORDS