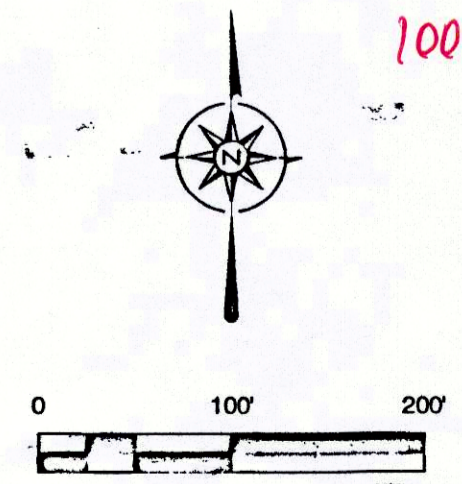


**DRAINAGE AND UTILITY EASEMENTS**

LINE	BEARING	DISTANCE	LINE	BEARING	DISTANCE	LINE	BEARING	DISTANCE
L27	S 88°55'57" E	105.41'	L96	S 18°10'08" E	146.72'	L164	N 65°18'39" W	11.20'
L28	S 01°01'39" W	10.09'	L97	N 71°49'52" E	296.79'	L165	S 71°49'52" W	21.89'
L29	N 88°58'21" W	4.42'	L98	N 18°10'08" W	113.72'	L166	N 18°10'08" W	14.00'
L30	S 27°22'50" W	10.93'	L99	N 71°49'52" E	32.50'	L167	S 71°49'52" W	347.29'
L31	S 17°42'10" E	36.16'	L100	N 18°10'08" W	33.00'	L168	S 18°10'08" E	189.82'
L32	S 71°46'31" W	4.55'	L101	S 71°49'52" W	6.39'	L169	S 71°49'52" W	10.00'
L33	S 18°10'08" E	21.15'	L102	S 17°45'26" W	3.39'	L170	S 71°49'52" W	32.50'
L34	S 10°39'53" E	13.10'	L103	N 72°14'34" W	9.33'	L171	S 18°10'08" E	65.28'
L35	S 17°36'17" E	150.46'	L104	N 17°45'26" E	9.33'	L172	N 71°49'52" E	20.64'
L36	S 07°56'22" E	3.01'	L105	S 72°14'34" E	9.01'	L173	N 18°10'08" W	2.17'
L37	S 00°49'38" W	3.01'	L106	N 71°49'52" E	3.16'	L174	N 71°49'52" E	13.75'
L38	S 08°41'08" W	6.60'	L107	N 18°10'08" W	180.99'	L175	S 18°10'08" E	24.19'
L39	S 04°22'38" W	3.71'	L108	S 71°49'52" W	5.49'	L176	S 71°49'52" W	13.75'
L40	S 02°43'10" E	3.71'	L109	S 35°54'19" W	3.86'	L177	N 18°10'08" W	4.00'
L41	S 09°48'58" E	3.71'	L110	N 54°05'41" W	9.33'	L178	S 71°49'52" W	20.64'
L42	S 16°54'47" E	3.71'	L111	N 35°54'19" E	9.33'	L179	S 18°10'08" E	19.30'
L43	S 20°27'41" E	4.11'	L112	S 54°05'41" E	7.13'	L180	N 71°49'52" E	4.77'
L44	S 16°49'36" E	3.80'	L113	N 71°49'52" E	2.35'	L181	N 18°10'07" W	2.17'
L45	S 09°33'26" E	3.80'	L114	N 18°10'08" W	75.91'	L182	N 71°49'53" E	9.33'
L46	S 02°17'16" E	3.80'	L115	S 71°49'52" W	115.51'	L183	S 18°10'07" E	9.33'
L47	S 04°58'54" W	3.80'	L116	S 18°10'08" E	0.58'	L184	S 71°49'53" W	9.33'
L48	S 08°36'59" W	10.69'	L117	N 71°49'52" E	2.17'	L185	N 18°10'07" W	2.17'
L49	S 04°22'48" W	4.43'	L118	N 18°10'08" E	9.33'	L186	S 71°49'52" W	4.77'
L50	S 04°05'34" E	4.43'	L119	S 71°49'52" W	9.33'	L187	S 18°10'08" E	6.11'
L51	S 12°33'56" E	4.43'	L120	N 18°10'08" W	9.33'	L188	N 71°49'52" E	50.50'
L52	S 16°48'58" E	24.96'	L121	N 71°49'52" E	2.17'	L189	N 18°09'53" W	206.34'
L53	S 18°09'02" E	281.70'	L122	N 18°10'08" W	5.58'	L190	N 71°49'52" E	59.00'
L54	S 14°01'29" E	4.12'	L123	N 71°49'52" E	120.51'	L191	N 18°10'08" W	45.10'
L55	S 06°06'04" E	4.12'	L124	N 18°10'08" W	87.68'	L192	S 71°49'52" W	21.29'
L56	S 01°49'20" W	4.12'	L125	N 88°58'21" W	16.55'	L193	S 18°10'08" E	2.17'
L57	S 09°44'45" W	4.12'	L126	N 01°01'39" E	14.15'	L194	S 71°49'52" W	10.71'
L58	S 17°40'09" W	4.12'	L127	N 71°49'52" E	10.98'	L195	N 18°10'08" W	28.00'
L59	S 25°35'34" W	4.12'	L128	N 18°10'08" W	54.39'	L196	N 71°49'52" E	10.71'
L60	S 32°31'32" W	3.09'	L129	N 88°58'21" W	165.70'	L197	S 18°10'08" E	2.17'
L61	S 38°28'04" W	3.09'	L130	N 01°01'39" E	34.58'	L198	N 71°49'52" E	26.29'
L62	S 50°09'52" W	33.75'	L131	N 88°58'21" W	2.17'	L199	S 18°10'08" E	68.77'
L63	S 38°49'59" W	4.12'	L132	N 01°01'39" E	9.33'	L200	N 71°49'52" E	154.84'
L64	S 30°57'31" W	4.12'	L133	S 88°58'21" E	9.33'	L201	N 06°01'08" W	112.06'
L65	S 23°05'03" W	4.12'	L134	S 01°01'39" W	9.33'	L202	N 83°58'52" E	35.57'
L66	S 19°08'49" W	6.17'	L135	N 88°58'21" W	2.17'	L203	S 04°34'53" E	15.00'
L67	S 23°37'46" W	4.69'	L136	S 01°01'39" W	29.58'	L204	S 83°58'52" W	30.19'
L68	S 28°06'42" W	11.06'	L137	S 88°58'21" E	183.32'	L205	S 06°01'08" E	97.18'
L69	S 22°03'17" W	5.01'	L138	N 18°10'08" W	3.18'	L206	S 62°36'05" E	35.04'
L70	S 17°24'39" W	3.21'	L139	S 88°58'21" E	78.66'	L207	S 27°23'55" W	8.50'
L71	S 08°26'09" W	4.12'	L140	N 01°01'39" E	35.91'	L208	S 62°36'05" E	6.63'
L72	S 00°33'55" W	4.12'	L141	S 88°58'21" E	25.00'	L209	S 17°37'09" E	11.74'
L73	S 07°39'57" E	9.04'	L142	S 01°01'39" W	35.91'	L210	S 72°22'51" W	5.00'
L74	S 04°28'27" W	5.61'	L143	S 88°58'21" E	143.59'	L211	N 17°37'09" W	9.67'
L75	S 19°35'02" W	19.72'	L144	S 01°01'39" W	3.00'	L212	N 62°36'05" W	4.56'
L76	S 13°51'15" W	4.44'	L145	S 88°58'21" E	150.35'	L213	S 27°23'55" W	11.50'
L77	S 04°40'27" W	24.98'	L146	N 01°01'39" E	15.43'	L214	N 62°36'05" W	47.19'
L78	S 01°06'33" W	86.86'	L147	N 88°58'21" W	2.17'	L215	S 71°49'52" W	187.35'
L79	S 18°10'08" E	30.43'	L148	N 01°01'39" E	9.33'	L216	S 18°09'53" E	196.34'
L80	S 71°49'52" W	166.69'	L149	S 88°58'21" E	9.33'	L217	S 71°49'52" W	10.00'
L81	N 18°10'08" W	545.75'	L150	S 01°01'39" W	9.33'	L218	N 18°10'08" W	15.00'
L82	N 71°49'52" E	60.30'	L151	N 88°58'21" W	2.17'	L219	N 71°49'52" E	90.08'
L83	N 18°10'08" W	2.17'	L152	S 01°01'39" W	20.43'	L220	N 18°10'09" W	258.33'
L84	N 71°49'52" E	9.33'	L153	N 88°58'21" W	155.35'	L221	N 26°49'52" E	17.08'
L85	S 18°10'08" E	9.33'	L154	S 01°01'39" W	11.81'	L222	N 71°49'52" E	182.96'
L86	S 71°49'52" W	9.33'	L155	S 88°58'21" E	56.90'	L223	S 63°10'08" E	40.94'
L87	N 18°10'08" W	2.17'	L156	S 01°01'39" W	5.00'	L224	N 83°58'52" E	13.25'
L88	S 71°49'52" W	55.30'	L157	N 88°58'21" W	61.90'	L225	S 06°01'08" E	11.70'
L89	S 18°10'08" E	189.21'	L158	N 01°01'39" E	16.81'	L226	S 83°58'52" W	17.98'
L90	N 71°49'52" E	39.01'	L159	N 88°58'21" W	234.17'	L227	N 63°10'08" W	39.15'
L91	N 35°54'19" E	9.01'	L160	S 18°10'08" E	588.75'	L228	S 71°49'52" W	170.53'
L92	S 54°05'41" E	9.33'	L161	N 71°49'52" E	18.86'	L229	S 26°49'52" W	4.66'
L93	S 35°54'19" W	9.33'	L162	S 65°18'39" E	13.16'	L230	S 18°10'10" E	267.11'
L94	N 54°05'41" W	3.39'	L163	S 24°41'21" W	5.00'	L231	S 71°49'52" W	105.08'
L95	S 71°49'52" W	42.24'				L232	N 19°02'42" E	14.32'

CURVE	RADIUS	ARC LENGTH	CHORD LENGTH	CHORD BEARING	DELTA ANGLE
C16	54.50'	101.17'	87.25'	S 37°50'58" W	106°21'24"
C17	4.98'	3.52'	3.44'	S 04°52'50" W	40°25'09"
C18	18.00'	3.32'	3.32'	S 11°18'20" E	10°34'23"

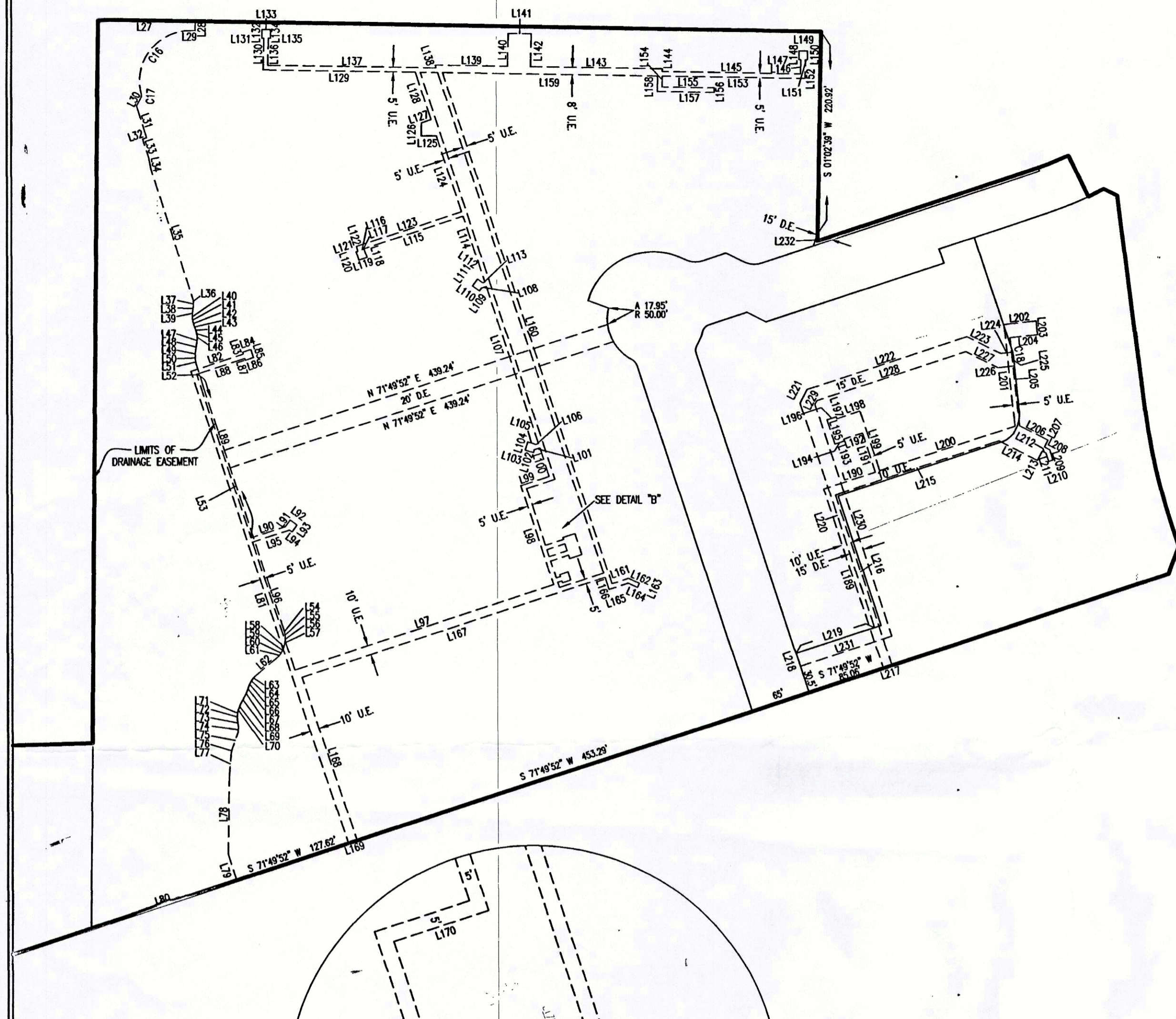
10015.001.003.20  
10015.001.003.25  
10015.001.006.00



D 668

**FINAL PLAT**  
**LOTS 3R2-1, 3R2-2, 6R-1 & 6R-2**  
**A.B. CINEMA DEVELOPMENT ADDITION**  
 CONSISTING OF 31.465 ACRES (1,370,624 SQ FT) AND BEING A REPLAT OF LOT 6, BLOCK 1, OF THE A.B. CINEMA DEVELOPMENT ADDITION, AN ADDITION TO THE CITY OF HUDSON OAKS AND WEATHERFORD, ACCORDING TO THE PLAT THEREOF RECORDED IN CABINET C, PAGE 353, PLAT RECORDS, PARKER COUNTY, TEXAS, AND ALSO LOT 3R2, BLOCK 1, OF THE A.B. CINEMA DEVELOPMENT ADDITION, AS RECORDED IN CABINET P, PAGE 208, PLAT RECORDS, PARKER COUNTY, TEXAS.  
**PLAT PREPARED 05/17/2016**

ERRORS: THE CLIENT OR CLIENT'S REPRESENTATIVES WILL HAVE 45 DAYS FROM THE DATE THE SURVEY WAS ISSUED TO CHANGE ANY MISSPELLINGS OR ANY ERRORS ON THE SURVEY REPORT AFTER THIS TIME HAS EXPIRED ALL PARTIES INVOLVED MUST ACCEPT THE SURVEY AS ISSUED.



**ALL AMERICAN SURVEYING**  
 301 W. BROADWAY ST.  
 GAINESVILLE, TX 76240  
 PH. 940-665-9105  
 FAX. 940-665-9106

DRAWN BY: L.J.G.    DATE: 05-17-2016    JOB NO.: 1510.0038    SCALE: 1" = 100'    PAGE: 3 OF 4

**SURVEYOR**  
 JOHN E. THOMPSON, II  
 ALL AMERICAN SURVEYING  
 301 W. BROADWAY STREET  
 GAINESVILLE, TX 76240  
 (940) 665-9105  
 JT@ALLAMERICANSURVEYING.COM

**OWNERS**  
 LARRY JR. LAND & CATTLE II, LLC  
 200 BAILEY, STE. 306  
 FORT WORTH, TX 76107  
 (214) 740-0175

HUDSON OAKS CREEKSIDE, LTD  
 15653 HWY 243  
 KAUFMAN, TEXAS 75142  
 (972) 932-7879  
 FIRSTTECORP@GMAIL.COM

**ENGINEER**  
 EVOLVING TEXAS  
 420 THROCKMORTON STREET, STE. #30  
 FORT WORTH, TX 76102  
 (817) 529-2700  
 SAMANTHA@EVOLVINGTEXAS.COM